

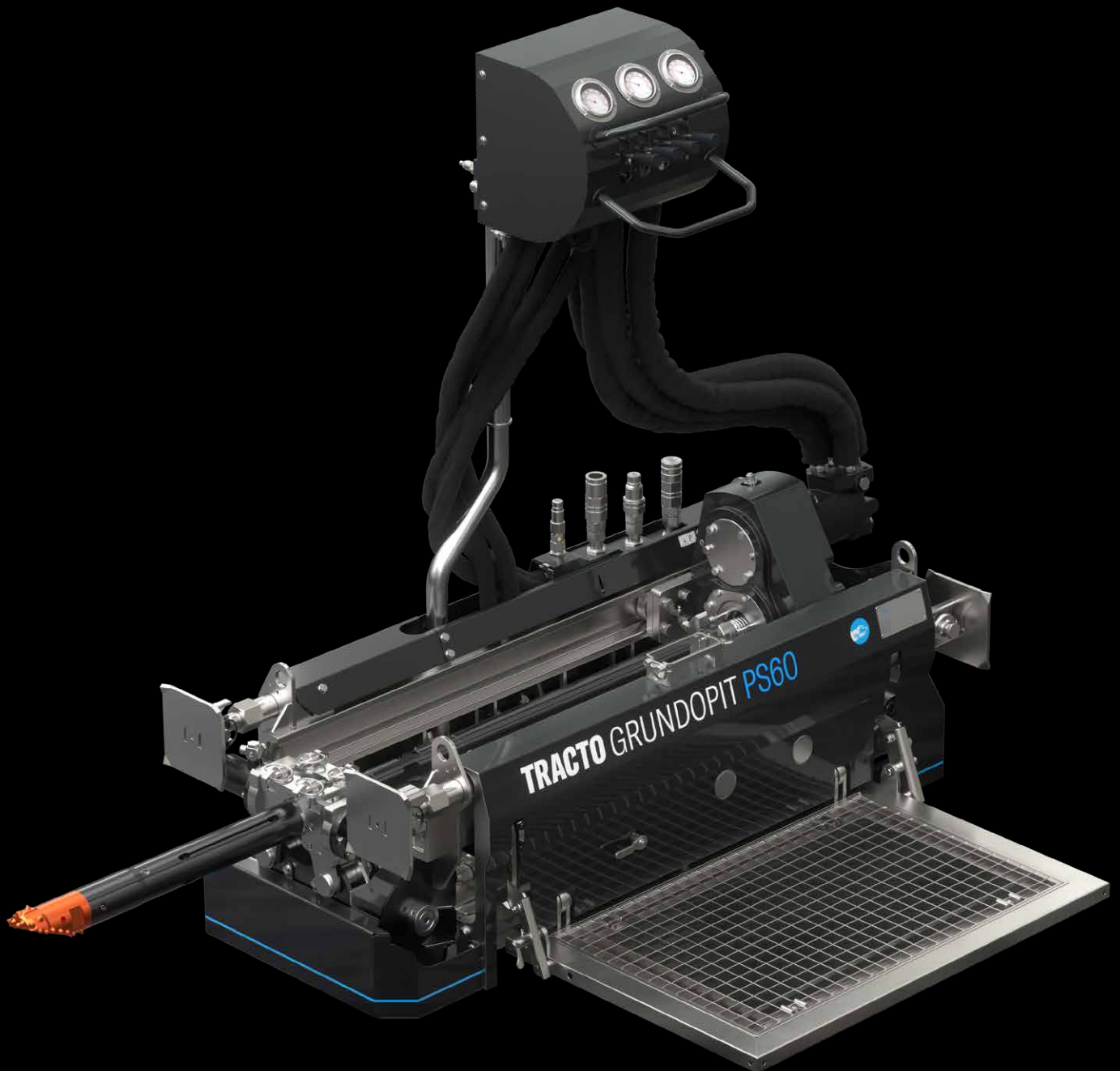
TRACTO

Further Information
on GRUNDOPIT

TRACTO.COM/GRUNDOPIT



GRUNDOPIT
FLUID-ASSISTED
MINI DRILL RIGS
SMALL POWER-
HOUSES



ADVANCED TRENCHLESS TECHNOLOGY

GRUNDOPIT FLUID-ASSISTED MINI BORE RIGS

STEERABLE, COMPACT & VERSATILE

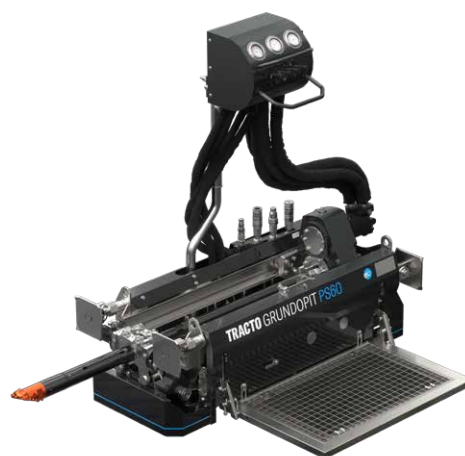
GRUNDOPIT Mini fluid-assisted HDD rigs are used wherever the installation of lines up to 100 m long or the manufacture of house connections demand the steerability of the bore head due to the required bore path. This is the case with bores within existing infrastructures, in restricted spaces, demanding terrains such as slopes and/or heavy soils. House connection service lines can also be installed with the GRUNDOPIT HDD rigs in a steerable manner up to a small pit in front of the building, directly into the building, or the basement and in the opposite direction. This way you can close the gap between non-steerable soil displacement hammers and steerable midi-sized HDD rigs.

The versatile models of the GRUNDOPIT series are compact, easy-to-handle mini bore rigs for quickly and economically establishing gas, water, electricity, fibre optic and wastewater house connections as well as parallel installations. Depending on the soil, a water, water-polymer or Bentonite drilling fluid is used. Depending on the type of bore, pipe diameter, soil type, bore length and degree of difficulty, you can choose between units for pit, shaft or keyhole start.



GRUNDOPIT PS40

Very compact pit machine for establishing near-surface service connections in existing infrastructures, especially out of the pavement



GRUNDOPIT PS60

Powerful pit machine for house connections and parallel installations, especially in difficult terrains and complex soils

GRUNDOPIT AT A GLANCE

GRUNDOPIT PS40

4-9

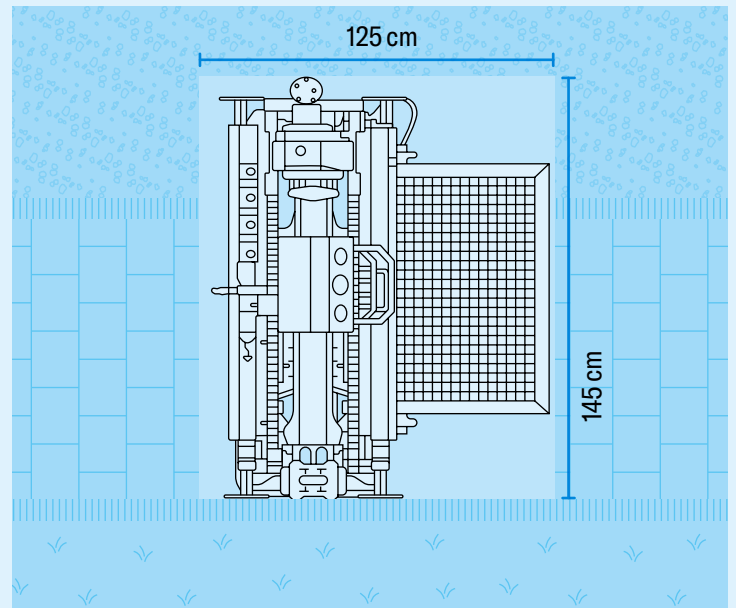
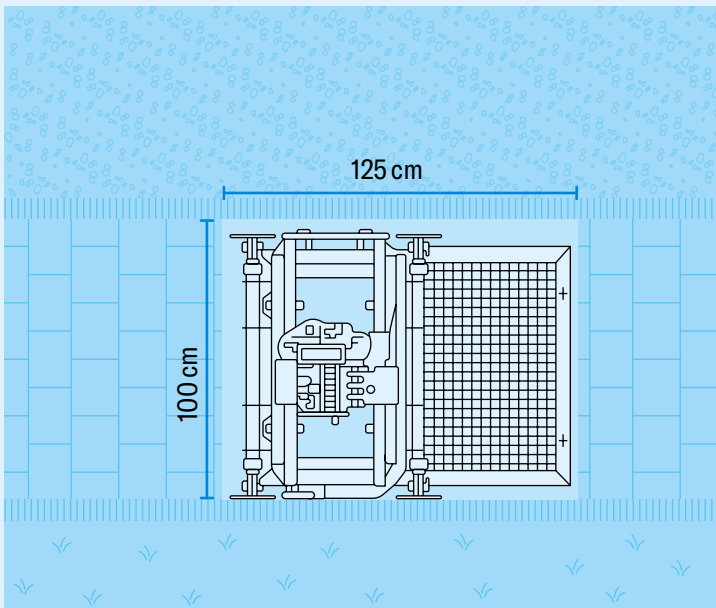
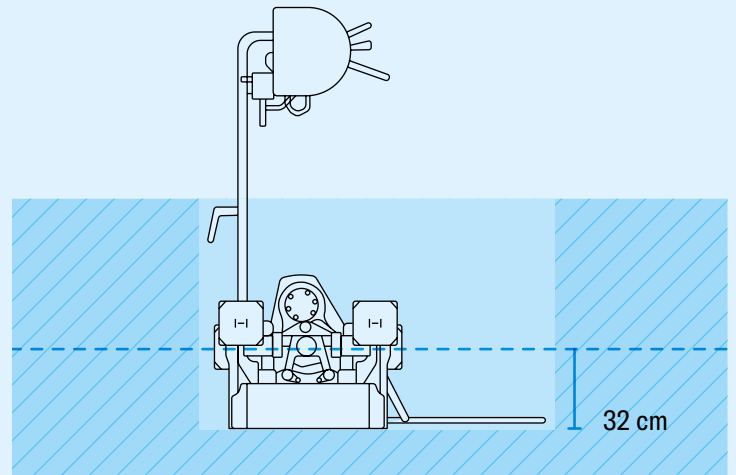
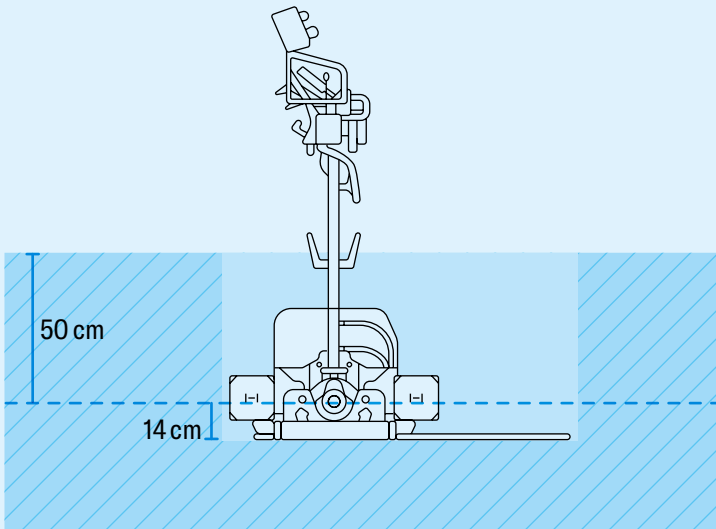
GRUNDOPIT PS60

10-15

FITS IN EVEN THE SMALLEST PIT MINIMAL SIZE, MAXIMUM POWER

The compact dimensions of the GRUNDOPIT Mini HDD rigs are beneficial in a number of ways. Thanks to the small dimensions of the drill rigs, only small quick-to-produce excavation pits are required which cause only a minimum of excavation. This allows the machines to be used in restricted spaces and densely populated areas, especially since a truck-mounted crane or mini-excavator is sufficient for handling.

Due to the small distance between bore axis and pit bottom, all GRUNDOPIT models can be used for flat bores simply that simply cross over existing pipe networks. At the same time, the bore axes are deep enough to keep the required cover and the given installation depth.



GRUNDOPIT PS40

GRUNDOPIT PS60

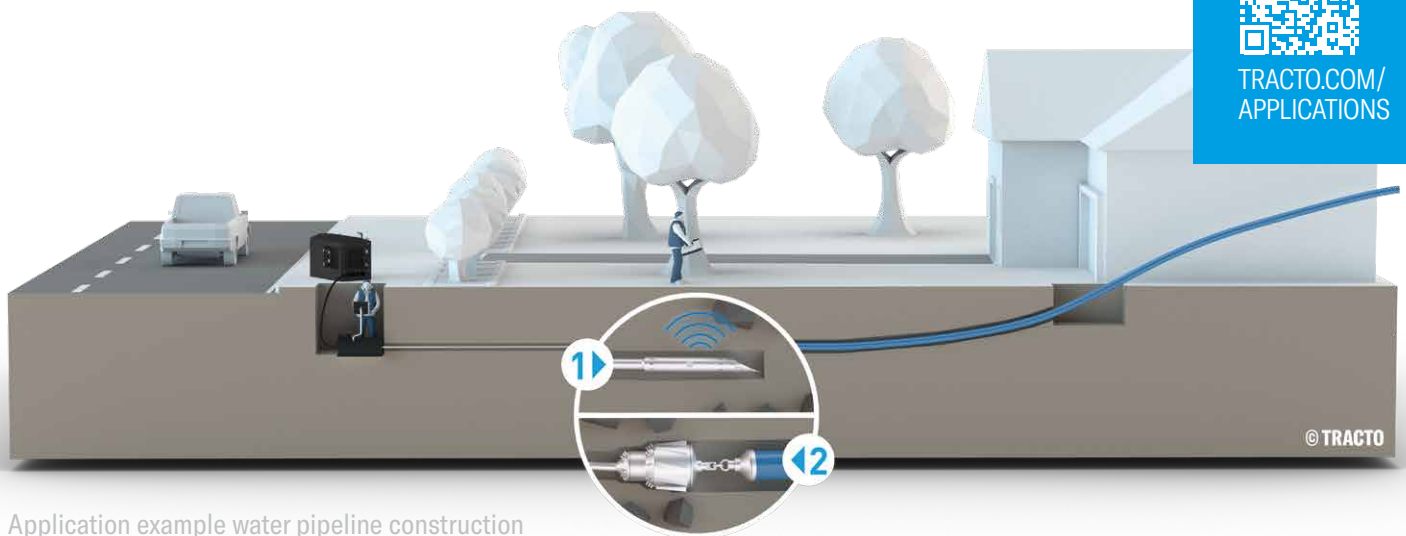
GRUNDOPIT PS40

SPEEDY HIGH-FLYER

The GRUNDOPIT PS40 was specially developed for the quick and near-surface production of house connections. The extremely compact Mini-HDD rig is suitable for particularly small, only 1 metre wide pits which fit into the pavement. That is why the GRUNDOPIT PS40 is ideally suitable for FTTH connections directly from out of the pavement under which the public fibre optics infrastructure usually runs. Due to the low distance between the bore axis and the bottom of the starting pit, the bores can be started directly above the existing underground network from out of a flat starting pit.

House connections for water or electricity can also be installed easily with the GRUNDOPIT PS40 within the existing infrastructure up to or into the building. A core drill for drilling through manhole and basement walls allows direct installation here without a head hole. Thrust and pulling forces up to 40 kN enable the installation of pipes up to Ø 100 mm over max. 50 m length, even through challenging soils.

APPLICATION



Application example water pipeline construction

GRUNDOPIT
Application
Videos at

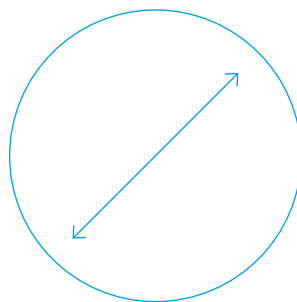


TRACTO.COM/
APPLICATIONS

BORE TYPE



BORE DIAMETER



Ø 58 - 150 MM

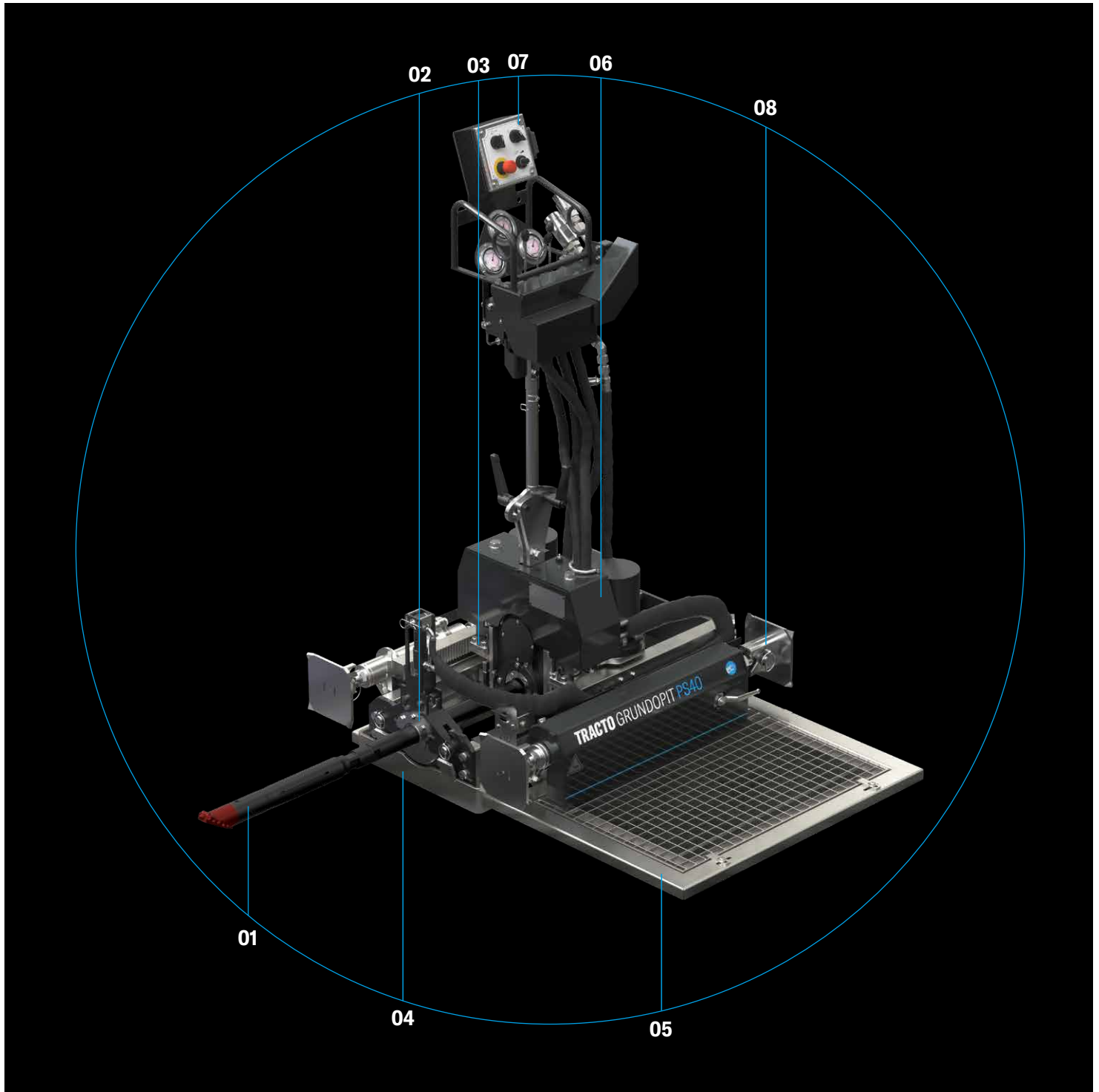
MAIN APPLICATIONS

**HOUSE
CONNECTIONS**

**LONGI-
TUDINAL
BORES**

**UNDER-
CROSSINGS**

OVERVIEW



01 Drill rod effective length 500 mm with a rig length of only 1.174 m – allows quick and productive work even in extremely tight working spaces

02 Hydraulic Clamping Device – safer, comfortable, quick drill rod exchange

03 Thrust via rack and pinion drive – rigid construction, low maintenance and wear

04 Small distance between bore axis and bottom edge of machine – start from very flat pits, directly above the available infrastructure

05 Working platform with safe and clean stand, earthing the machine operator

06 Removable rotary drive with lifting unit especially compact construction and ergonomic drill rod handling

07 Fold-out control panel – compact transport position, quick set-up

08 Hydraulic tensioning inside the pit short-set-up times, ergonomic work and high stability

HOME-FRIENDLY SMALL, FAST, FLEXIBLE

1 | Control panel

Well laid-out, swivelling control panel for comfortable handling and control of the bore rig from any position.

2 | Unfolding clamp

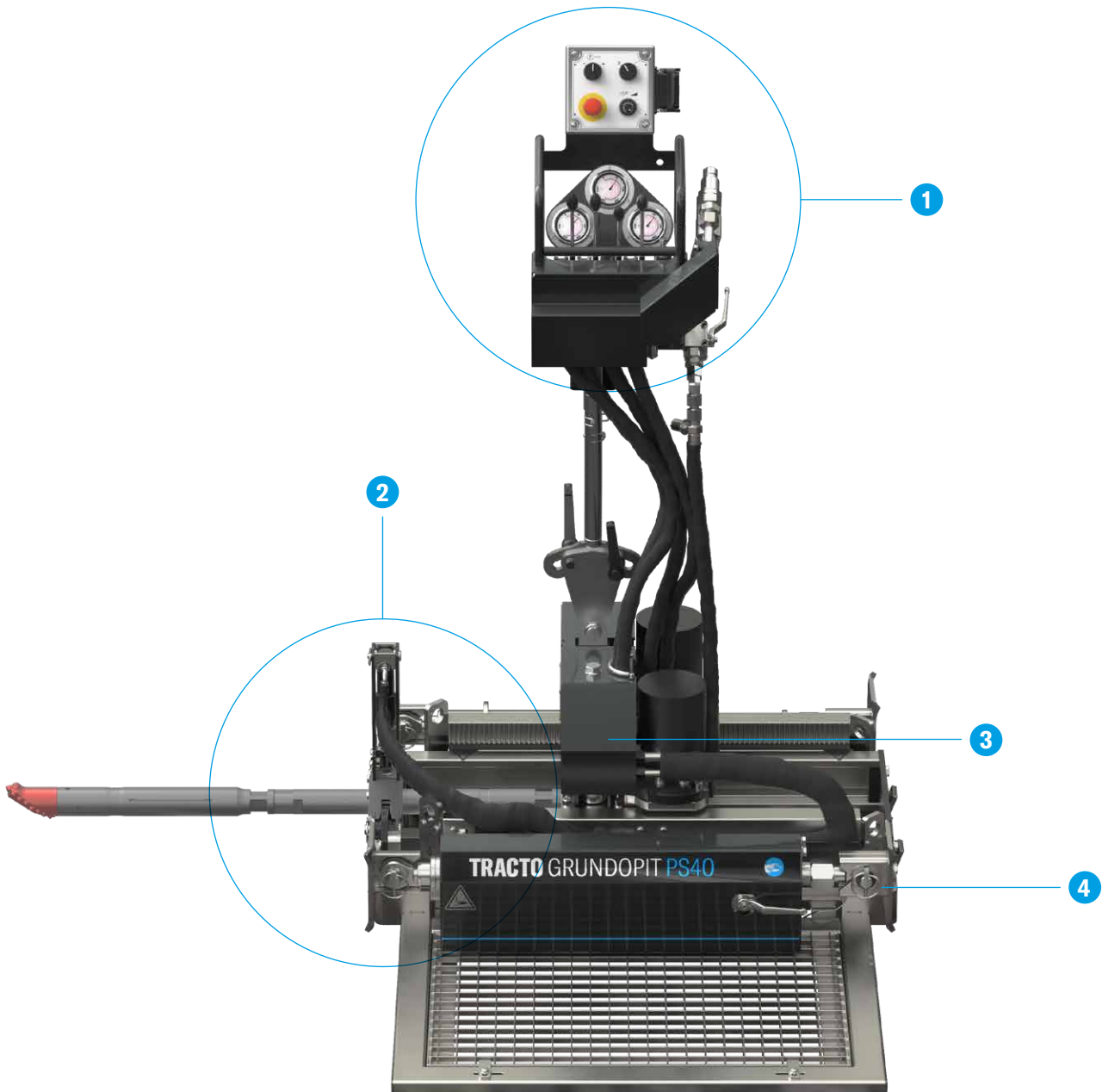
Large backreamers up to max. OD 150 mm can be pulled directly into the rig – no extension frame required.

3 | Rotary drive with quick rod connector

Simple and quick connection of the rod to the rotational drive, without screwed fittings enable immediate paddle function.

4 | Hydraulic pit-start frame

For short set-up times, ergonomic work and high stability





GRUNDOPIT PS40 MINIMALLY INVASIVE DRILLING



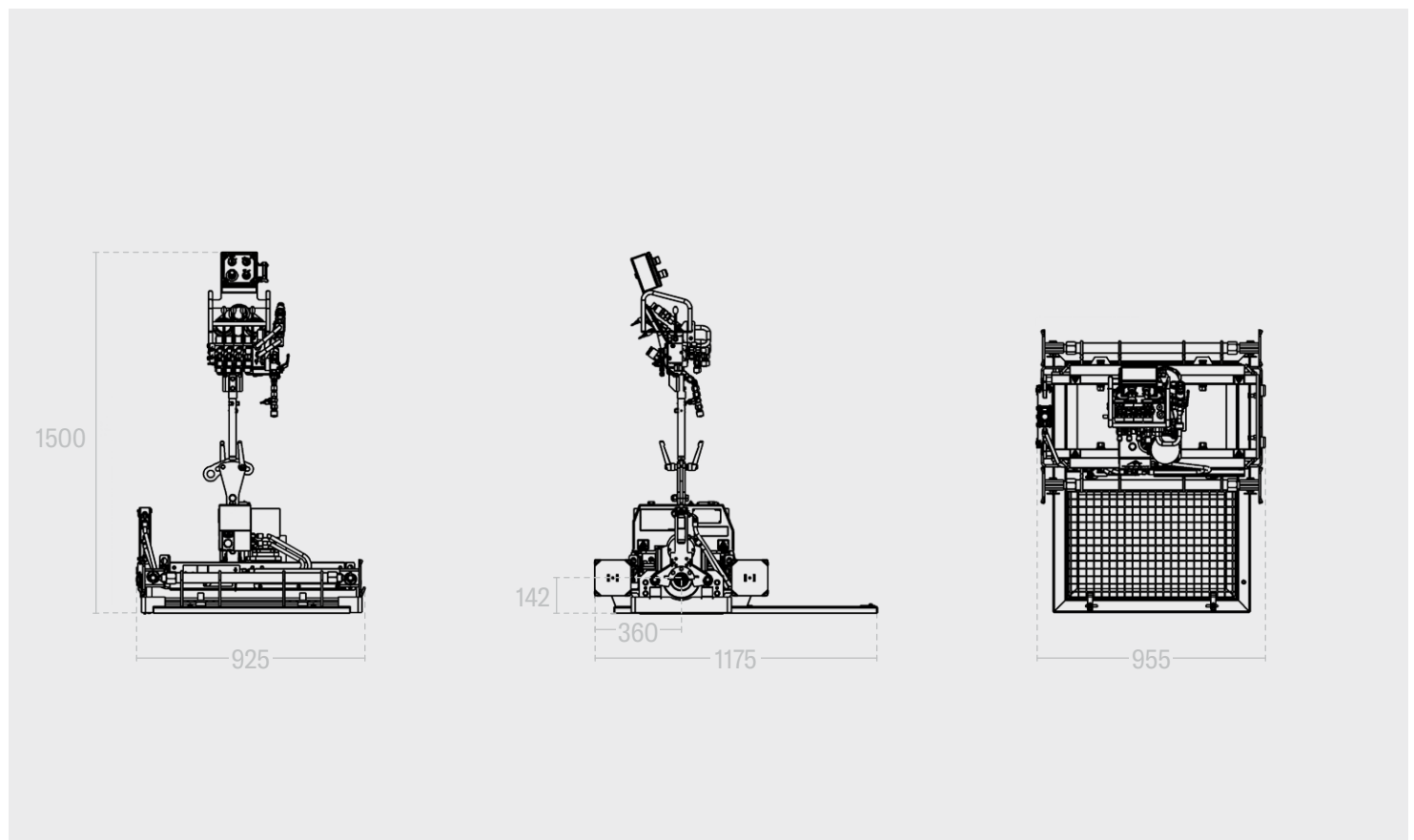
VARIATIONS

GRUNDOPIT PS40 SPEEDY HIGH-FLYER

FEATURES

- Very compact HDD pit bore rig for the quick manufacture of house connections (especially FTTH) and parallel installations up to 50 m
- Shallow launch from a small pit of only 1.00 x 1.25 m, which fits exactly in the footpath
- Holes to the building with core drill units
- Small distance between bore axis and pit floor allows holes above the existing pipeline network
- Tensile and thrust force up to 40 kN at max. torque of 1,000 Nm

WORKING POSITION



VARIATIONS



TECHNICAL DATA

DRILL ROD TYPE TR34

	METRIC	IMPERIAL
Thrust and pullback force	40 kN	9 lbf
Installation speed (without load)	5 m/min	16 ft/min
Max. torque	1.000 Nm	738 lbf ft
Max. spindle speed	70 rpm	70 rpm
Bore rod Ø	45 mm	1.8 in
Effective rod length	500 mm	20 in
Rod weight	3,7 kg	8 lbs
Pilot hole Ø	65 mm	2,6 in
Min. drilling radius	26,5 m	87 ft
Length x Width x Height	955 x 1.175 x 1.500 mm	37.6 x 46.3 x 59.1 in
Weight	335 kg	739 lbs
Upsizing Ø ≤	150 mm*	5.9 in*
Outer pipe Ø ≤	110 mm*	4.3 in*
Bore length ≤	40 m*	131 ft*
Required hydraulic fluid volume**	60 l/min	2 cfm
Required max. hydraulic fluid pressure	230 bar	3.336 psi

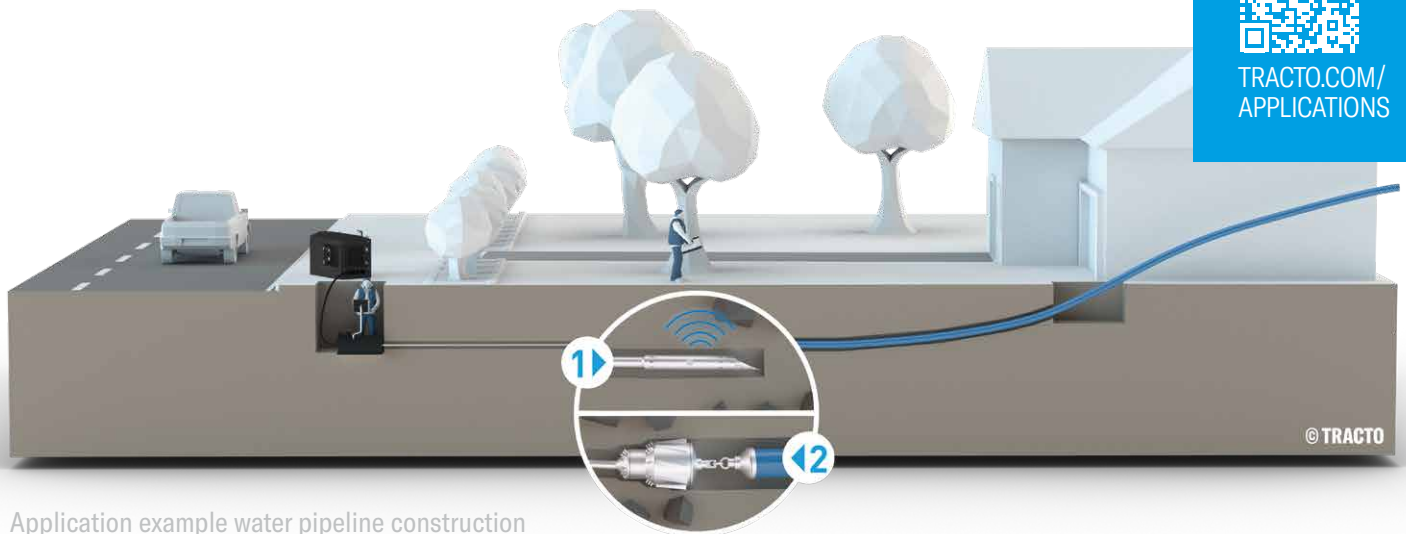
* depending on soil | ** depending on the system min., here with FU01 | Subject to change.

GRUNDOPIT PS60 SMALL POWER PACK

Property house connections for gas, water, electricity, glass fibre cables and sewer pressure pipes can be installed quickly and economically with the fluid-assisted mini drill rig GRUNDOPIT PS60. The GRUNDOPIT PS60 can be launched from a small pit or, if applicable, directly from a utility room in the basement. If the bore is carried out directly into the building, the brickwork is sealed with a wall duct; so a head access hole in front of the building wall is not required. As well as the installation of house connections, crossings beneath traffic ways, rivers and brooks are also easily achieved.

Despite its small external dimensions, the GRUNDOPIT PS60 provides a powerful stroke, allowing for the application of rods with an effective length of 750 mm. With its high torque of 1,500 Nm, the maximum rotation number of 150 rpm and pushing and pulling forces of up to 6 t, working in difficult soil conditions is relatively trouble free.

APPLICATION



**GRUNDOPIT
Application
Videos at**



[TRACTO.COM/
APPLICATIONS](https://tracto.com/applications)

Application example water pipeline construction

BORE TYPE

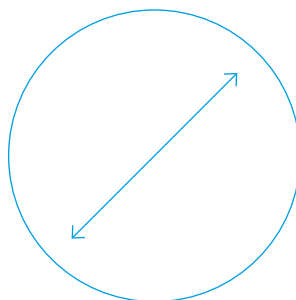


GUIDED



UNGUIDED

BORE DIAMETER

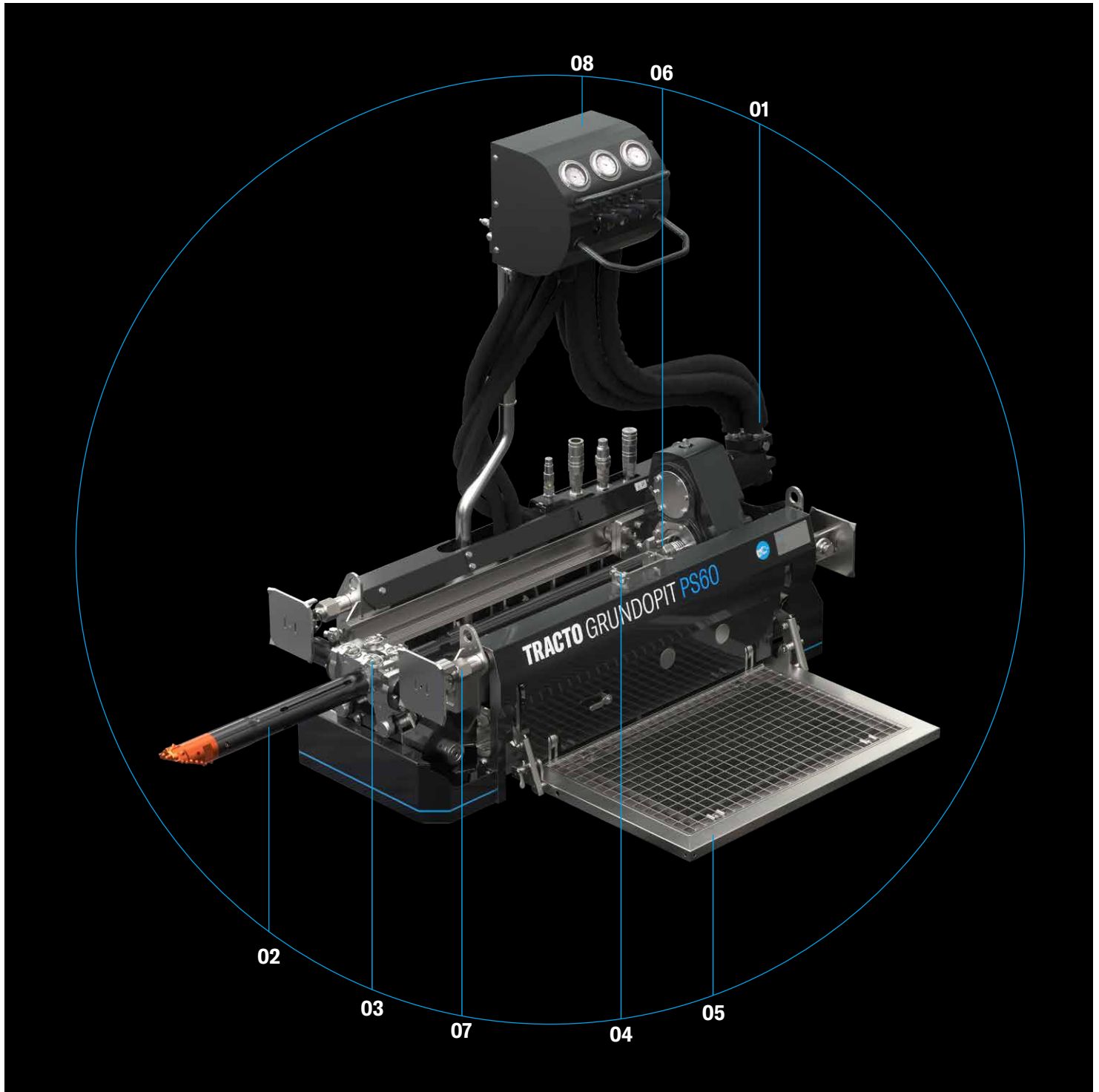


Ø 80 - 250 MM

MAIN APPLICATIONS



OVERVIEW



01 Coupling of the hydraulic lines directly to the rig
operator protection

02 Effective rod length 750 mm with only 1,370 mm rig length
for fast and productive work, even in extremely limited spaces

03 Hydraulic clamp – safe, comfortable, quick and easy rod exchange, clamping is possible in every position

04 Thrust via cylinder drive – full power is provided from the start

05 Fold-out footboard for safe and clean standing

06 Two-step rotation – optimal adaptation to the soil conditions/
upsizing diameters

07 Hydraulic tensioning in the work pit – short setup times,
high self-support

08 Fold-out control panel – compact transport position,
quick set-up

QUICKSTARTER COMPACT, POWERFUL, PROFITABLE

1 | Control panel

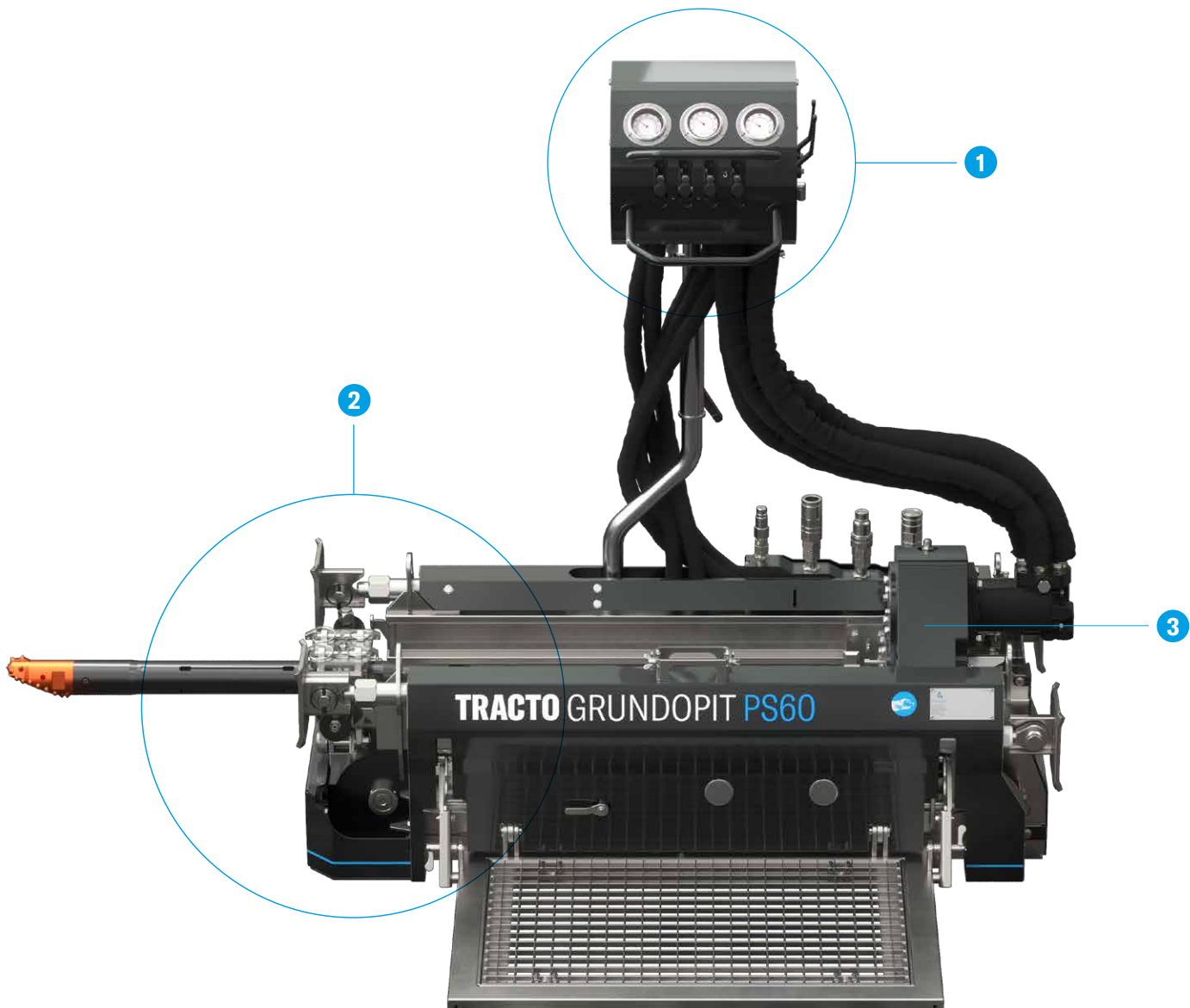
The well laid-out, swivelling control panel is made for comfortable handling and control over the drill rig from every position.

2 | Unfolding clamp

Pulling of large backreamers up to max. OD 200 mm directly into the rig is possible – no attachment frame required.

3 | Rotary drive with quick rod connector

Simple and quick connection of the rod to the rotational drive without screwed fittings enables immediate paddle function.





GRUNDOPIT PS60 MINIMALLY INVASIVE DRILLING



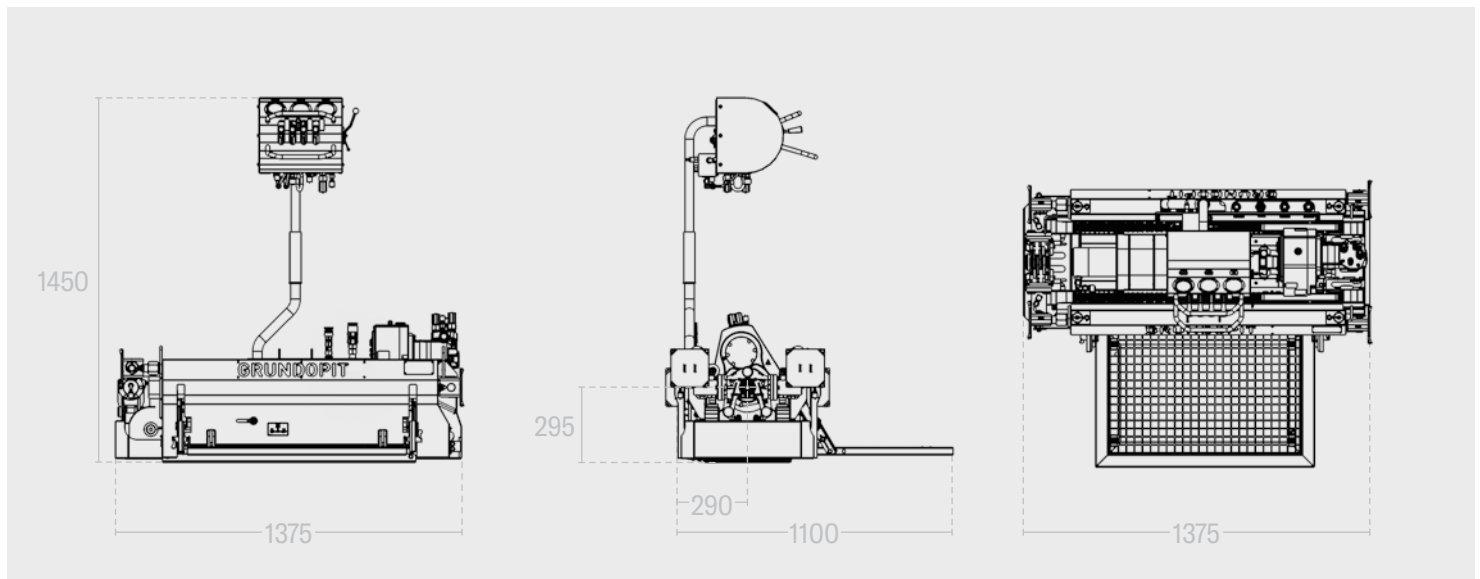
VARIATIONS

GRUNDOPIT PS60 SMALL POWER PACK

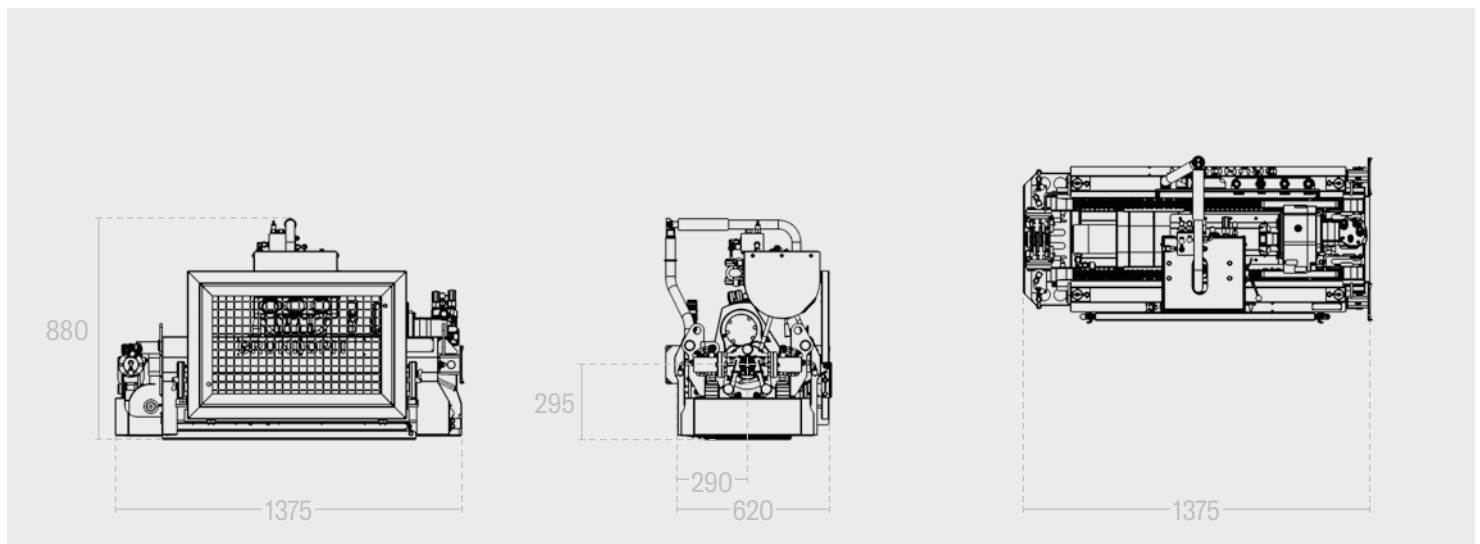
FEATURES

- Two-stage rotation
- Hydraulic clamping
- Effective length of rods 750 mm with a rig length of only 1.370 mm
- Thrust via cylinder
- Fold-out control board
- Hydraulic bracing in work pit
- The hydraulic line is coupled directly with the rig
- Rotary drive with quick-locking rods (replacement of single wear parts)
- Unfolding clamp

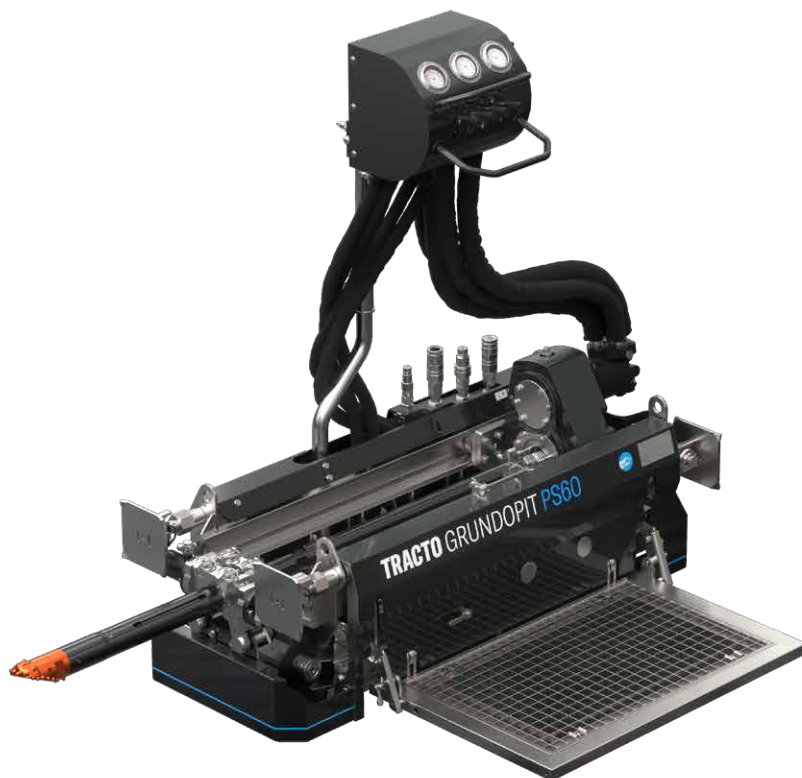
WORKING POSITION



TRANSPORT POSITION



VARIATIONS



TECHNICAL DATA

	METRIC	IMPERIAL
Thrust and pullback force	60 kN	13,489 lbf
Installation speed (without load)	5 m/min	16 ft/min
Max. torque	1.500 Nm	1,106 lbf ft
Max. spindle speed	150 rpm	150 rpm
HP Bentonite pump (not included)	40 l/min**	10.6 gpm**
Bore rod Ø	51 mm	1.89/1.50 in
Effective rod length	750 mm	30 in
Rod weight	6,3 kg	13.9 lbs
Pilot hole Ø	80 mm	3.15 in
Min. drilling radius	26,5 m	87 ft
Length x Width x Height (transport position)	1.385 x 620 x 880 mm	54.5 x 24.4 x 34.6 in
Length x Width x Height (working position)	1.375 x 1.100 x 1.450 mm	54.1 x 43.3 x 57.1 in
Max. weight	490 kg	1,080 lbs
Upsizing Ø ≤	250 mm*	9.84 in*
Outer pipe Ø ≤	200 mm*	7.87 in*
Bore length ≤	80 m*	262 ft*
Required hydraulic fluid volume without MA09	70 l/min	2.47 cfm
Required hydraulic fluid volume with MA09	100 l/min	3.53 cfm
Required max. hydraulic fluid pressure	250 bar	3,626 psi

* depending on soil | ** in combination with hydraulic power pack HP37 and mixing unit MA09 | Subject to change

ACCESSORIES

WELL EQUIPPED IS HALF WAY THERE

Drilling tools perfectly tailored to the drilling unit guarantee optimum drilling advancement in any type of ground. It goes without saying that all parts are tough and durable.



BORE HEAD WITH
TRANSMITTER HOUSING



CORE HOLE DRILL

For wall duct



QUICK-CONNECT



BACKREAMER



UPSIZING TOOLS

For installing short pipes



HOLEOPENER



DETECTION TECHNOLOGY



DRILL ROD LOOSENING DEVICE

SYSTEM COMPONENTS



DRIVE UNIT TT HP19
for GRUNDOPIT PS40



DRIVE UNIT TT HP28 / HP37
for GRUNDOPIT PS40 und PS60



RINSING UNIT FU1
for GRUNDOPIT PS40 and PS60

for operation with water or water/polymer
drilling fluid



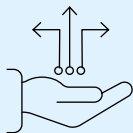
MIXING SYSTEM MA09
Für GRUNDOPIT PS40 und PS60

for operation with bentonite drilling fluid

Request a copy of our brochure
on mixing plant and hydraulic stations!

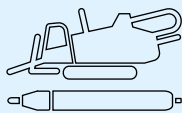
FULL SERVICE FOR TRENCHLESS TECHNOLOGY

Whether its before, during or after the purchase, whether in person or online – we are always at your side with advice and support. Our wide-ranged service is specially tailored to the requirements of trenchless pipe installations, so you can concentrate fully on your core business.



Digital Solutions

Our website offers you the whole world of trenchless technology in digital form. Find out more about our company, our products and their applications. Discover the digital tools for the HDD drilling technology and many other intelligent solutions. Always stay up to date by using the links to our social media channels. Or you can order machines, accessories and spare parts in our eSHOP – easy and conveniently via PC, smartphone or tablet.



Nodig Product Specialists

You can truly rely on our product specialists for all technical questions regarding the function and application of our steerable and non-steerable NODIG-systems. With comprehensive knowledge in each of their special fields, you can be sure they will find the best solution for your trenchless projects and advise you competently on setting up your jobsite.



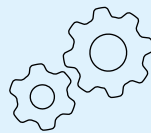
Financing

We offer attractive financing solutions for new and used machines to our customers and sales partners through the TRACTO-TECHNIK Finance GmbH. Be it financing, hire purchase, various types of leasing or insurance: we provide extensive expert advice, individually and personally, in order to find the tailored solution for you. Discretion goes without saying.



Training

Qualified training enables you to apply trenchless technology even more effectively and profitably. Our wide range of training courses for machine operators, construction professionals as well as planners and clients cover all aspects of NODIG technology, including special topics. Certified trainers also instruct you, in theory and practice according to your individual requirements, either at one of our numerous company locations, or directly on your own premises or online, independent of time and place.



Specialised Civil Engineering Service (Application Technology)

The specialised civil engineering service for application technology provides support for all your trenchless construction sites. Our experts demonstrate the steerable and non-steerable NODIG technology live in practical use, show your drilling teams how to use it or actively assist with special projects.



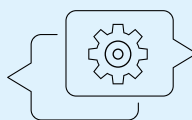
Geoservice

Precise knowledge of the soil is the key to successful trenchless projects. Our Geoservice team provides you with this professional knowledge. Our expertise puts you in a position to master every type of soil. Based on geoscientific maps and existing construction files, we supply information on the soil, which will help you with calculations or supplements.



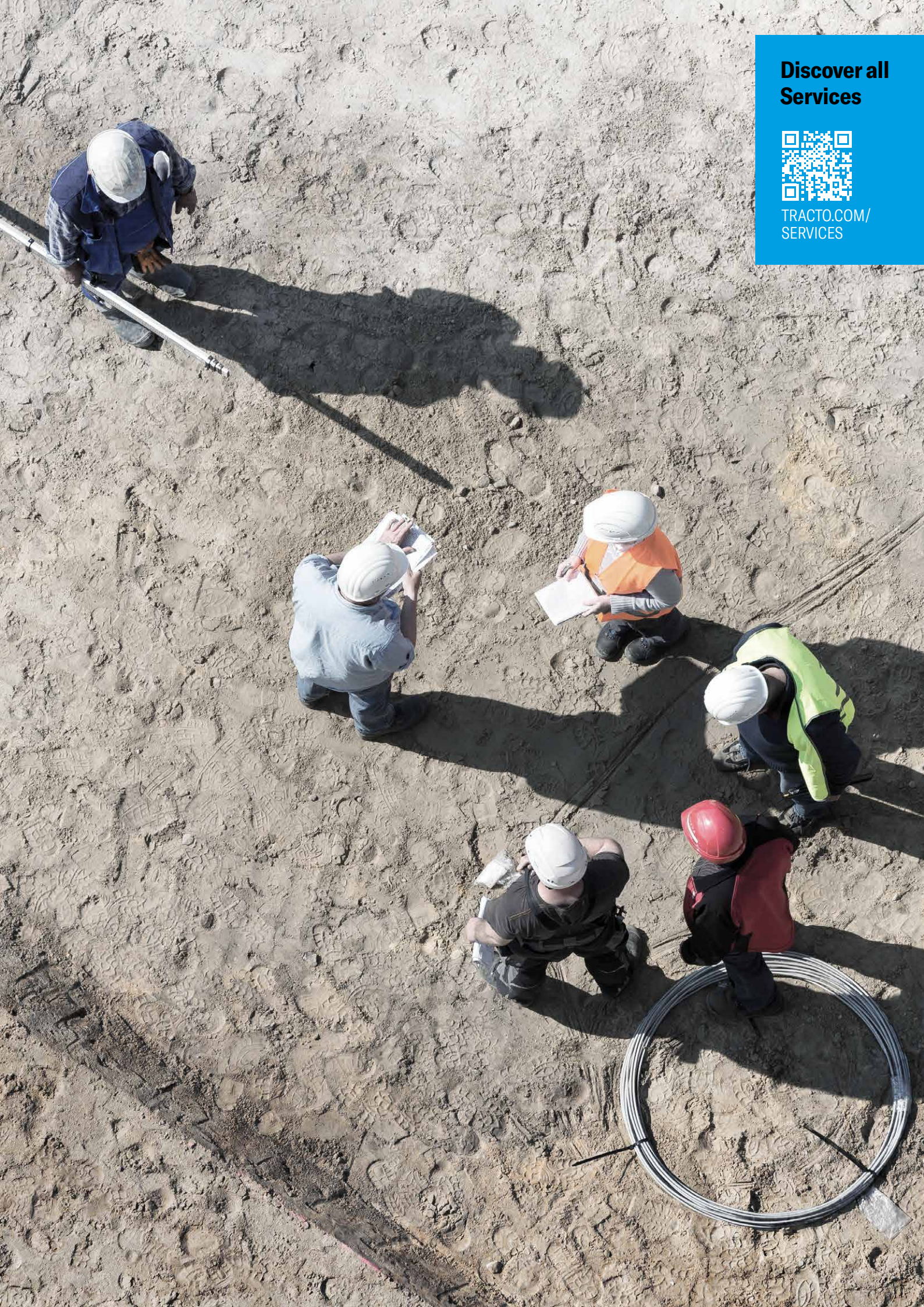
Used Equipment

If you want to sell a used machine at an attractive price or are looking for the right equipment for your tasks, our full service for used NODIG machines will take the workload off your hands – from appraisal and price determination to professional repair and certification, through to achieving the best price for you via our used machine website with access to one of the world's largest construction machinery platforms.



After Sales

Via our worldwide service network we are always there for you, even after the purchase. A total of five TRACTO plants and seven customer centres in Germany, as well as our worldwide sister companies and sales partners guarantee fast supply of spare parts and immediate availability. Our competent service staff offer fast assistance, to ensure you don't lose any time.



**Discover all
Services**



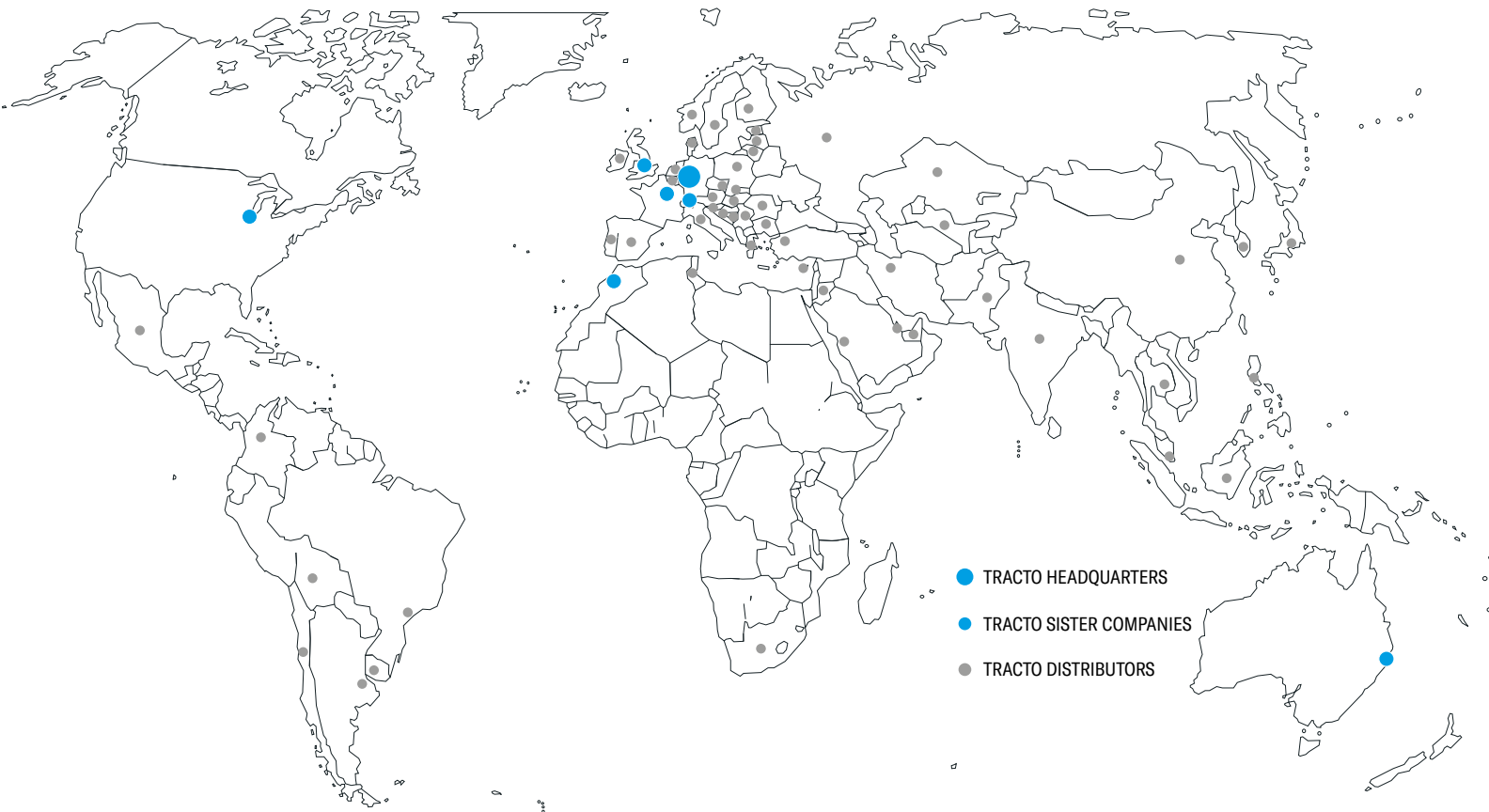
[TRACTO.COM/
SERVICES](https://tracto.com/services)

**TRACTO-TECHNIK
GMBH & CO. KG
HEADQUARTERS**

PAUL-SCHMIDT-STRASSE 2
57368 LENNESTADT, GERMANY
T +49 2723 808-0
F +49 2723 808-180
INFO@TRACTO.COM
TRACTO.COM/DE



TRACTO.COM



- TRACTO HEADQUARTERS
- TRACTO SISTER COMPANIES
- TRACTO DISTRIBUTORS

SWITZERLAND
TRACTO-TECHNIK SCHWEIZ AG
INDUSTRIESTRASSE 4
8360 ESCHLIKON TG, SCHWEIZ
T +41 79 8203897
CH@TRACTO.COM
TRACTO.COM/CH-FR

UNITED KINGDOM
TRACTO-TECHNIK UK LTD
10 WINDSOR ROAD
BEDFORD MK 42 9SU
T +44 1234 342566
F +44 1234 352184
INFO@TRACTO-TECHNIK.CO.UK
TRACTO.COM/UK

FRANCE
TRACTO-TECHNIK FRANCE S.A.R.L.
1/3 RUE DE LA PRAIRIE
F-77700 BAILLY ROMAINVILLIERS
T +33 1 60 42 49 40
F +33 1 60 42 49 43
FR@TRACTO.COM
TRACTO.COM/FR

USA
TT TECHNOLOGIES INC.
2020 EAST NEW YORK STREET
AURORA, IL. 60502
T +1 630 851 8200
F +1 630 851 8299
INFO@TTTECHNOLOGIES.COM
TTTECHNOLOGIES.COM

AUSTRALIA
TRACTO-TECHNIK AUSTRALIA PTY LTD.
10 ALICIAJAY CIRCUIT
LUSCOMBE, QLD 4207
T +61 7 3420 5455
AU@TRACTO.COM
TRACTO.COM/AU

MOROCCO
TRACTO-TECHNIK AFRIQUE S.A.R.L.
ROUTE DE TAMESNA 4022
POSTE 2044, 12220 TAMESNA
T +212 5 37 40 13 63 / 64
F +212 5 37 40 13 65
INFO@TRACTO-TECHNIK.MA
TRACTO.COM/MA

**TRACTO
ADVANCED TRENCHLESS TECHNOLOGY**

TRACTO PARTNER:

Images, text and graphics subject to change. Some of the product or service designations listed below as well as depicted logos are registered trademarks of TRACTO and in these cases are subject to the respective applicable trademark law.